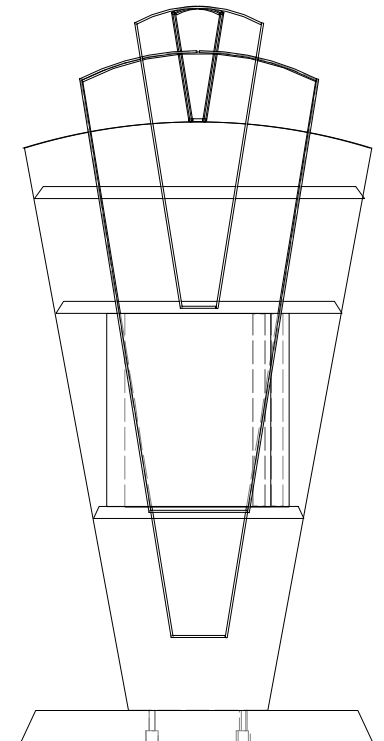
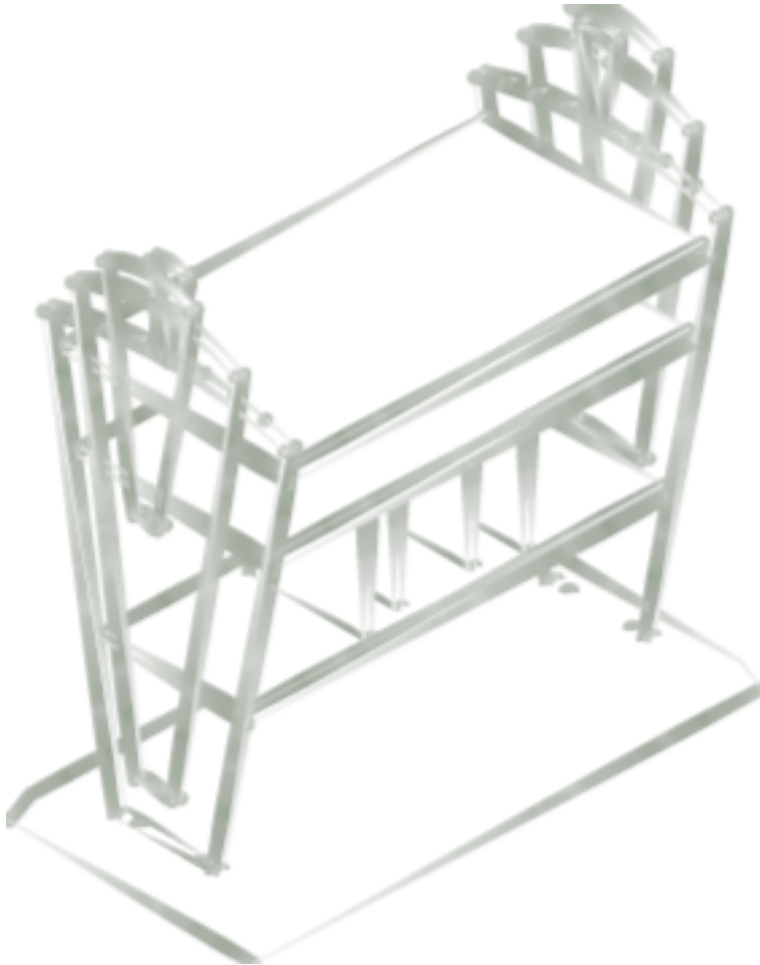


total height = 3'-9 7/8"
 total width @ base = 3'-8"
 depth = 1'-10"
 width of base = 3'-8"
 depth of base in 1'-10"
 height of base = 2 1/2"
 base bevel = 25 degrees
 Need 2 units
 right hand unit shown.
 base absolute black polished
 granite
 in base drill 4 - 5/16 dia holes
 with 3/4 counter bore



Bookcases for

2011 January 31 1" = 1'-0"

Prepared by Kel Heyl, CPBD

Studio Rebus Incorporated

612 382 8067 kel@studiorebus.com

Copyright SRI 2011

